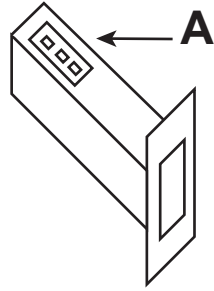
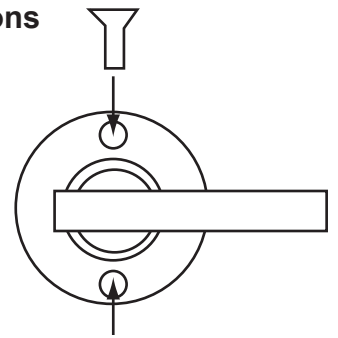
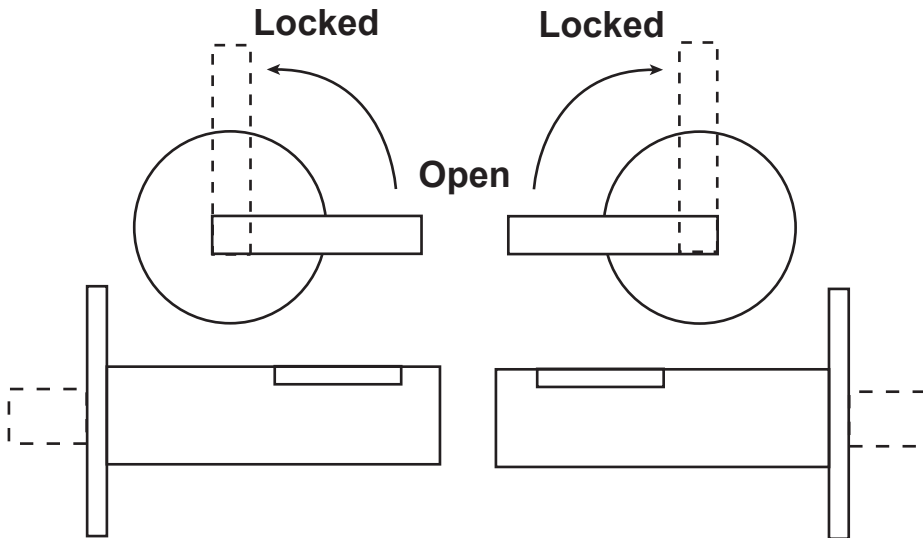


Mortice Indicator Tubular Bolt Fixing Instructions

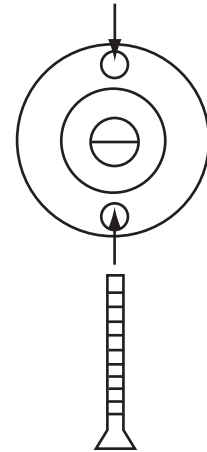
Ensure mechanism window A is always at the top



Ensure the lever is horizontal when the bolt is withdrawn



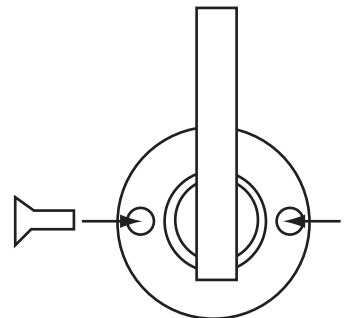
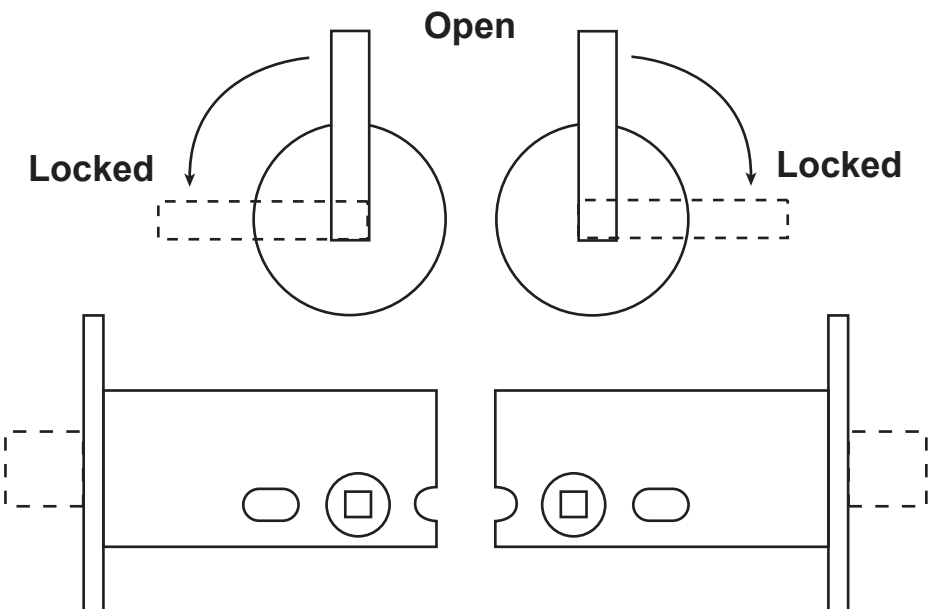
Remove cover and slot bolt heads to the TURN plate.



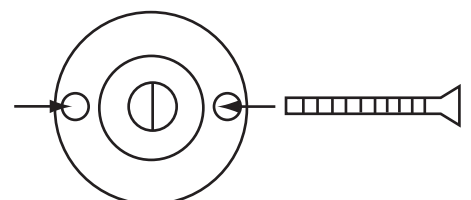
Screw in long bolts through the indicator faceplate into the bolt heads.

Mortice Indicator Flat Bolt Fixing Instructions

Ensure the lever is vertical when the bolt is unlocked



Remove cover and slot bolt heads to the TURN plate.



Screw in long bolts through the indicator faceplate into the bolt heads.